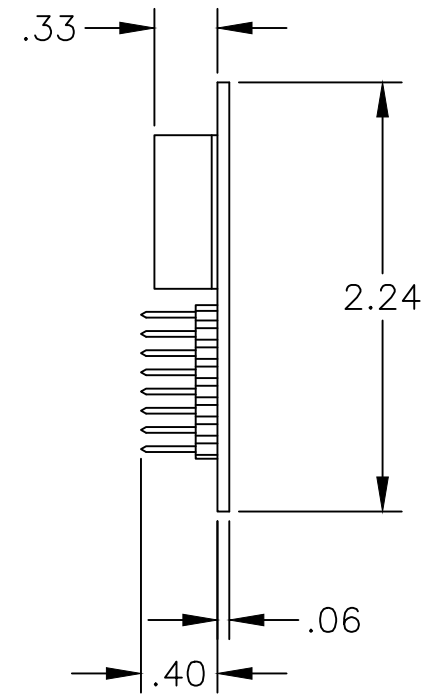
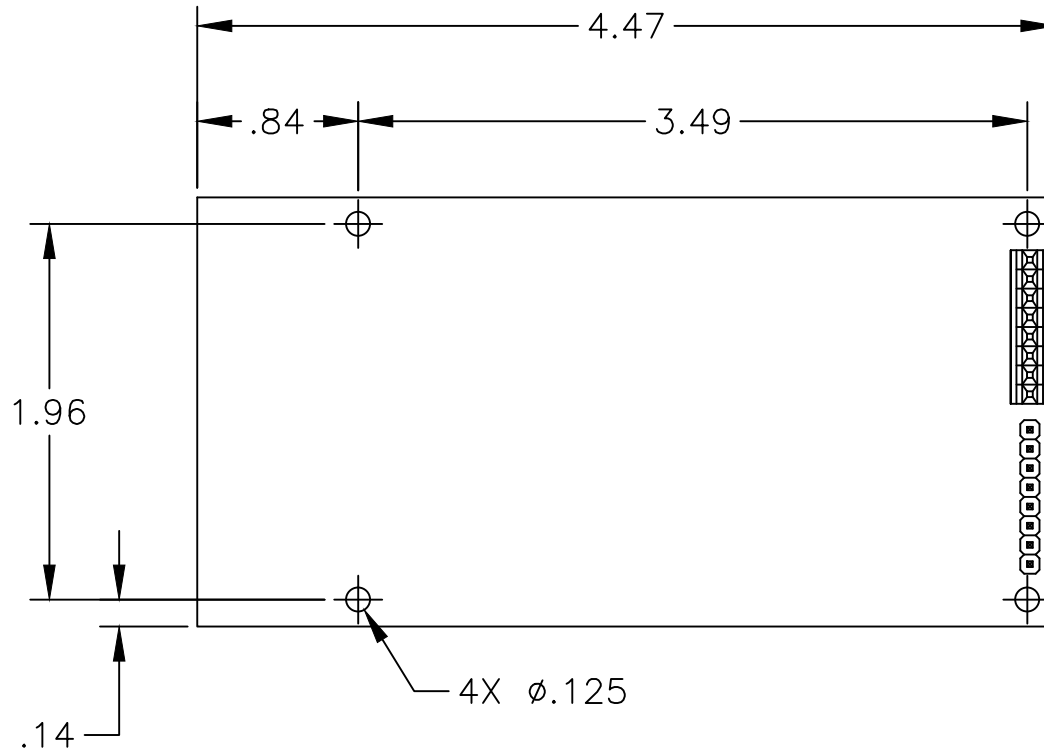


REPORT DRAWING ERRORS TO
ENGINEERING DEPARTMENT

REVISIONS

SHT	REV	DC NO	DESCRIPTION	DATE	APPROVED
	B		UPDATED TITLE BLOCK	3/20/15	EG



UNLESS OTHERWISE SPECIFIED THESE NOTES APPLY

1. TOLERANCES: .XXXX ±.0005, .XXX ±.005, .XX ±.01, ANGLE ±0°30', FRACTIONAL ±1/64
2. SHARP CORNERS AND EDGES BROKEN WITH .005 R OR CHAMFER.
3. DIAMETERS MUST BE CONCENTRIC TO C DIA. WITHIN .005 TIR.
4. ALL MALE THREADS MUST BE NATIONAL FORM CLASS 3 FIT.
5. ALL FEMALE THREADS MUST BE NATIONAL FORM CLASS 2 FIT.

SERVOTEK PRODUCTS, INC.

NEWELL, W. V.

MAT'L	HEAT TREAT	FINISH	DWN BY	CHK BY
ORIGINALLY DESIGNED FOR			SCALE 1:1	SHEET 1 OF 1
PART NAME PC BOARD ASSEMBLY			DATE	DATE
DWG. NO. CT-4			REV. B	