

Universal Phase Monitor

- | | |
|-------------------------------------------------------------------------------------------------------------------------------------------------------------------------------------------------------------------------------------------------------------------|-------------------------------------------------------------------------------------------------------------------------------------------------------------------------------------------------------------------------------------------------------------------|
| <ul style="list-style-type: none"> • Monitors up to 700 VAC • DIN Rail or Surface Mount • Operating Range 200-630 VAC • Manual or Automatic Reset • Adjustable Restart Delay • Adjustable Fault Delay | <p>PROTECTS AGAINST:</p> <ul style="list-style-type: none"> • Rapid Cycling • Phase Loss • Phase Reversal • Phase Unbalance • Phase Shift • Over/Under Voltage • Over/Under Frequency |
|-------------------------------------------------------------------------------------------------------------------------------------------------------------------------------------------------------------------------------------------------------------------|-------------------------------------------------------------------------------------------------------------------------------------------------------------------------------------------------------------------------------------------------------------------|

ORDERING INFORMATION

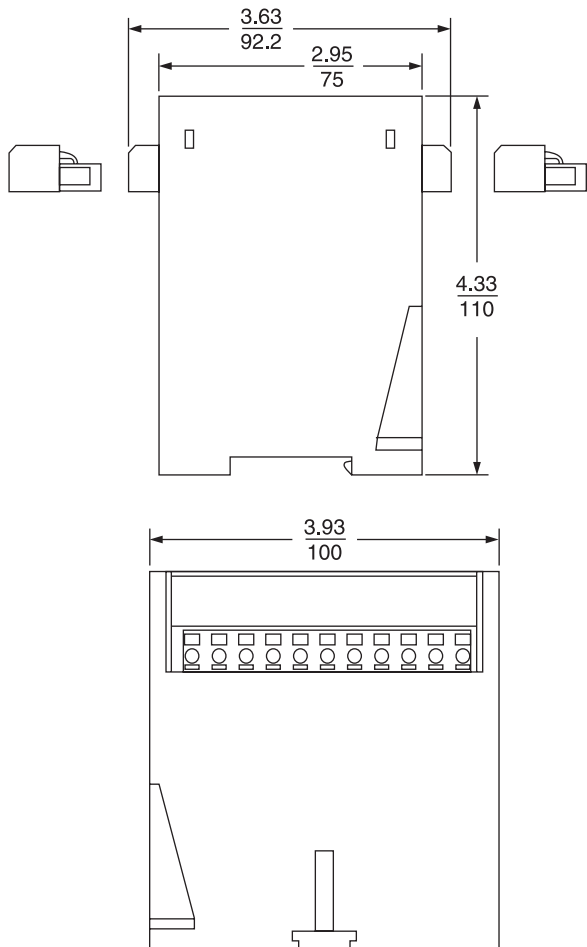
MODEL NUMBER	DESCRIPTION
SLU-600-ASTDS	Universal Phase Monitor/Relay

The ATC-Diversified Electronics **SLU-600-ASTDS** Universal Phase Monitor protects 3-phase motors up to 700VAC. The **RAPID CYCLING** feature prevents motors cycling due to load-induced line fault conditions. Powered by 120VAC, this reliable motor protection relay is unaffected by transients and disturbances from the monitored power source. The SLU-600 Series is UL Listed under UL File Number E55826.

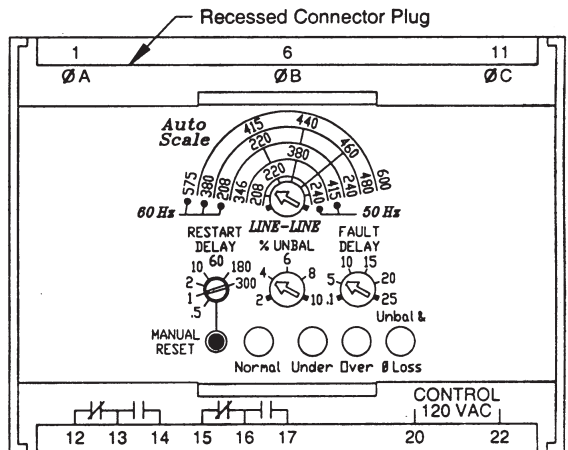
SPECIFICATIONS

AUTO RANGING SCALES	Frequency	Nominal Line-to-Line Voltages	Adjustable Range
	60Hz	208, 220, 240, 380, 415, 440, 460, 480, 575, 600	200-250, 360-500, 550-630
	50Hz	208, 220, 240, 346, 380, 415	200-250, 330-430
3Ø VOLTAGE BAND	Drop-out	±10% of Range Setting (Under/Over)	
	Pick-up	±7% of Range Setting (Under/Over)	
CONTROL VOLTAGE	120 VAC ±10%, 50/60Hz		
MAXIMUM VOLTAGE	700 VAC (Line-to-Line)		
PHASE SEQUENCE	ABC (Will Not Operate On CBA Sequence)		
POWER REQUIRED	90VA Max.		
PHASE UNBALANCE	2% to 10%, Adjustable Drop-out		
	Hysteresis	10% of Setting	
PHASE SHIFT	13° Drop-out, 12° Pick-up (Ø-Loss)		
FREQUENCY SHIFT	50/60 Hz		
	Drop-out	± 4%	
	Pick up	± 3%	
RAPID CYCLING	5 Cycle Lockout, 30-Min. Cycle Count Reset		
RESET	Automatic or Manual Mode Clears Rapid Cycle Count		
RELAY OUTPUT	DPDT, 10A @ 240 VAC Resistive		
LED'S		Flashing	Continuous
	Normal (Green LED)	Fault Delay Active	Relay Energized
	Fault (Red LED)	Restart Delay Active	Relay De-energized
	Over (Red LED)	Restart Delay Active	Relay De-energized
	Unbal / Ø Loss (Red LED)	Restart Delay Active	Relay De-energized
RESPONSE	Power Up	2.5 S Minimum	
	Fault Delay	0.1 to 25 S, Adjustable	
	Severe Fault	100mS (Ø-Loss, Unbalance or Ø Reversal)	
	Restart	0.5 to 300 S, Adjustable (Auto Reset)	
TEMPERATURE RATINGS	Operate	32° to 131°F (0° to +55°C)	
	Storage	-49° to 185°F (-45° to +85°C)	
REPEAT ACCURACY	1% @ Fixed Condition		
TERMINALS	Plug and Socket Term Block with Spring Pressure Wire Retention, 12 AWG Max.		
ENCLOSURE	35mm DIN Rail or Surface Mount, Polycarbonate Housing		
WEIGHT	1.10 lbs.		

DIMENSIONS (INCHES/MILLIMETERS)



TOP LABEL



LED STATUS CHART

- = OFF
- = ON
- ☼ = FLASHING

	Normal Green LED	Under Red LED	Over Red LED	Unbal & Ø Loss Red LED
Powering Up/First 3 Sec	●	●	●	☼
Powered Up/Normal Voltages	○	●	●	●
Relay ON/Under Voltage Detected/FAULT DELAY active	☼	●	●	●
Relay ON/Over Voltage Detected/FAULT DELAY active	☼	●	●	●
Relay ON/Unbal or Ø Loss Detected/FAULT DELAY active	☼	●	●	●
Relay OFF/Under Voltage Failure	●	○	●	●
Relay OFF/Over Voltage Failure	●	●	○	●
Relay OFF/Unbal or Ø Loss Failure	●	●	●	○
Relay OFF/Under Voltage Corrected/RESTART DELAY active	●	☼	●	●
Relay OFF/Over Voltage Corrected/RESTART DELAY active	●	●	☼	●
Relay OFF/Unbal or Ø Loss Corrected/RESTART DELAY active	●	●	●	☼