

## OPERATION

The **ARA-120-AJE** is a special function **TRIPLEXOR** designed for three load installations. This model has a field selection switch that is used to lock the Alternating Relay into a desired sequence. The ARA-120-AJE has the option of automatically alternating on each load cycle or by external clocking. This Alternating Relay also allows for additional loads to run in the event of excess load requirements.

The alternating action is initiated by the control switch between terminals 2 and 4 when the factory installed jumper is in place between terminals 3 and 4. The alternating action may be initiated externally by removing the factory installed jumper between terminals 3 and 4 and placing an isolated normally open switch between terminals 2 and 3. The alternating action will occur each time this isolated switch is closed and then re-opened.

A four position **ROTARY SWITCH** has been incorporated to permit field selection of the sequence that is to be maintained. The selection switch has the following positions:

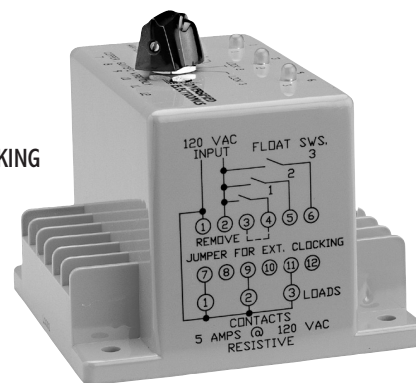
- Normal** — Normal operation as a Triplexor
- Lock 1** — Locks in sequence 1-2-3; No alternation will occur while in this position.
- Lock 2** — Locks in sequence 2-3-1; No alternation will occur while in this position.
- Lock 3** — Locks in sequence 3-1-2; No alternation will occur while in this position.

In the event of a power failure, the alternating relay will return to its quiescent state and continue sequencing loads on one-at-a-time.

## SPECIFICATIONS

<b>CONTROL VOLTAGE</b>	120 VAC $\pm$ 10%, 50/60 Hz
<b>CONTROL SWITCH CURRENT</b>	2 mA
<b>POWER REQUIRED</b>	3 VA (Approximately)
<b>DUTY CYCLE</b>	Continuous
<b>OUTPUT RATING</b>	Triplexor (3) 5 Amp Resistive, 1/6 hp, 211 VA @ 120 VAC, Inductive Externally Switched to terminal #2
<b>LIFE EXPECTANCY</b>	Mechanical 10,000,000 Operations (Minimum) Electrical 100,000 Operations @ Rated Load
<b>INDICATORS</b>	LED's Show Condition of Outputs
<b>TEMPERATURES RATING</b>	Operate -4° to 131°F (-20° to +55°C) Storage -40° to 185°F (-40° to +85°C)
<b>ENCLOSURE</b>	Style "E" Lexan® Surface Mounted
<b>TERMINATIONS</b>	(12) #8-32 Screw Terminals
<b>WEIGHT</b>	17 oz.

INCLUDES  
SEQUENCE LOCKING  
SWITCH

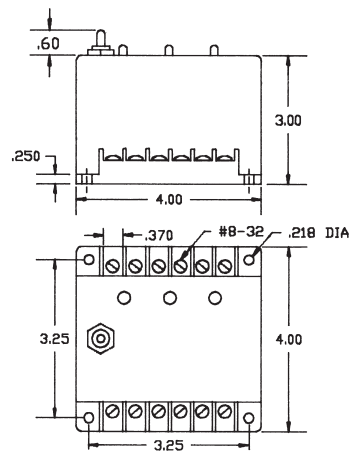


Triplexor Alternating Relay

## ORDERING INFORMATION

MODEL NUMBER	DESCRIPTION
ARA-120-AJE	Alternating Relay

## DIMENSIONS (INCHES)



## WIRING

