

Plunger

Type 10PI Plunger Operated Regulator

This reliable plunger operated regulator provides unmatched accuracy and repeatability. Regulated pressure is changed by direct linear actuation of the plunger instead of turning a knob.

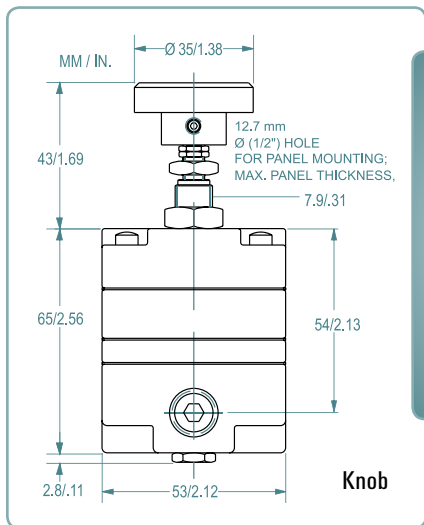
Plunger Travel			
Pressure Range		Plunger Travel*	
BAR	psig	mm	inch
0.1-1.7	2-25	1.9	.075
0.1-4.1	2-60	2.3	.090
0.1-8.3	2-120	2.5	.100

*±10% manufacturing tolerance

Return Spring

0.4 in. (10mm) nominal return height; 7 oz. (200g) approximate preload force; 7.5 lb./in. (135g/mm) approximate spring rate, between 0.4 in. (10mm) and 0.24 in. (6.5mm) compressed height.

Plunger Knob Material: Steel

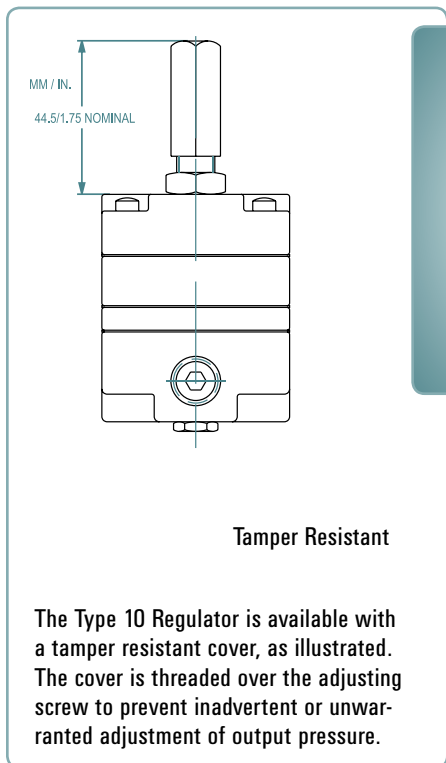


Knob

The basic Type 10 Regulator is offered with a choice of three port sizes and three output ranges.

Type 10HR & 10EXHR High Relief Regulators

Similar in proven accuracy and rugged construction to other Type 10 Regulators, these units provide extra fast "blowdown" for very rapid release of down stream pressure. The extra relief feature makes these regulators suitable for cylinder return stroke actuation, air hoists, and similar applications requiring fast exhaust.



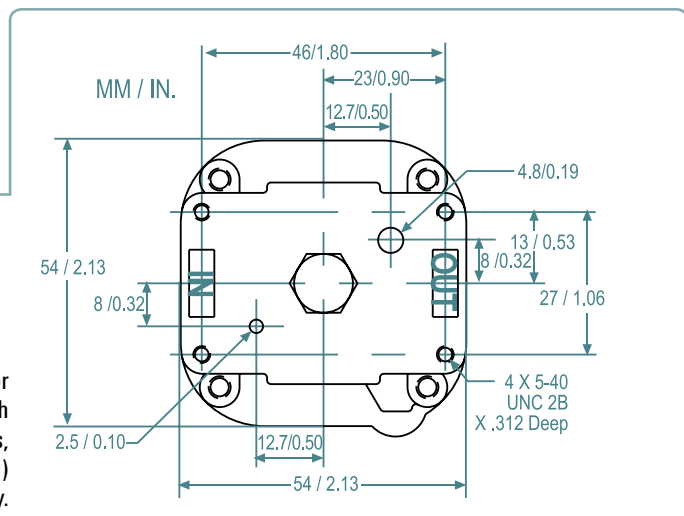
Tamper Resistant

The Type 10 Regulator is available with a tamper resistant cover, as illustrated. The cover is threaded over the adjusting screw to prevent inadvertent or unwarranted adjustment of output pressure.

Type 10LR Low Range Regulator

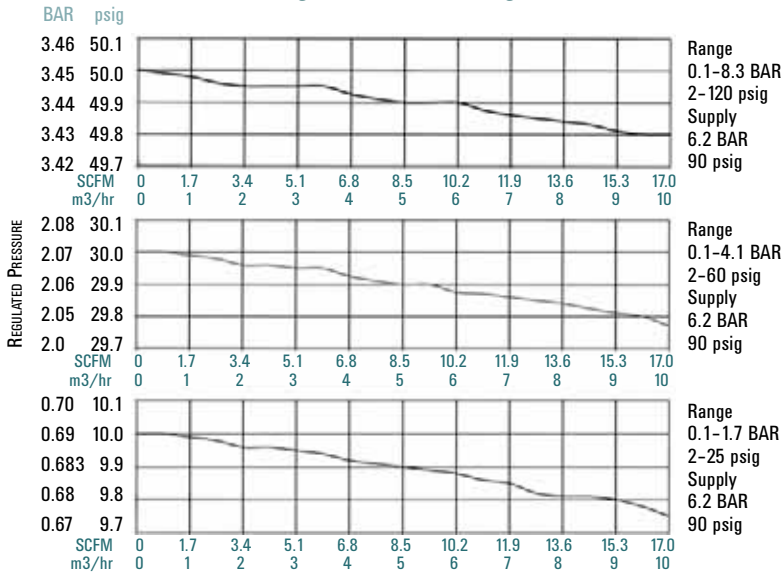
The main feature of the Type 10LR is its low-range pressure characteristic. It operates on a maximum of 50 psig / 3.4 BAR supply pressure and offers an output pressure range of 0.5 psig / 0.03 BAR to 25 psig / 1.7 BAR

The Type 10 Regulator is also available with bottom ports, (Type 1 OBM) consult factory.

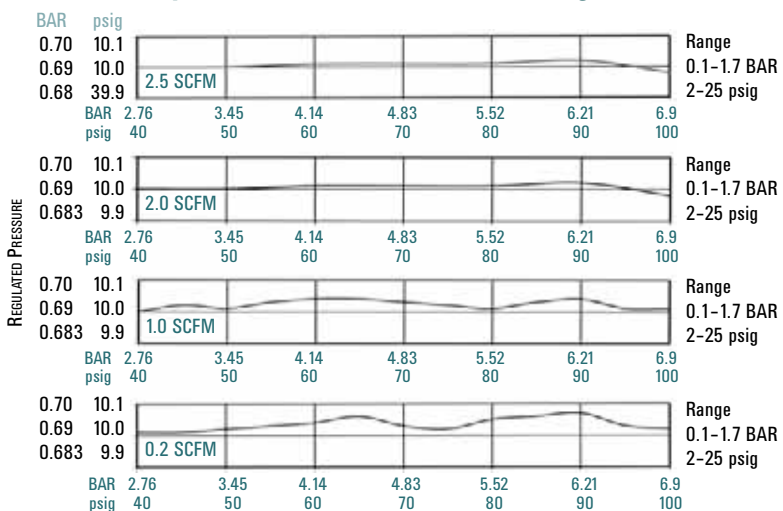


	Type 10LR	Type 10 / 10PL	Type 10 BM	Type 10HR	Type 10 EXHR	Type 10 HF	Type 10 Motorized
Maximum Supply Pressure	50 psig / 3.4 BAR	150 psig / 10.3 BAR	150 psig / 10.3 BAR	150 psig / 10.3 BAR	150 psig / 10.3 BAR	50 psig / 3.4 BAR	150 psig / 10.3 BAR
Pressure Ranges	.5-25 psig 0.03 - 1.7 BAR	2-25, 2-60, 2-120 psig 0.14-1.7, 0.14-4.1, 0.14-8.3 BAR	2-25, 2-60, 2-120 psig 0.14-1.7, 0.14-4.1, 0.14-8.3 BAR	2-120 psig 0.14-8.3 BAR	2-120 psig 0.14-8.3 BAR	2-25 psig 0.14-1.7 BAR	0.5-25, 2-25, 2-60, 2-120 psig 0.03-1.7, 0.14-1.7, 0.14-4.1, 0.14-4.1, 0.14-8.3 BAR
Port Sizes	1/4	1/8, 1/4, 3/8	N/A	1/8, 1/4, 3/8	1/8, 1/4, 3/8	3/8	1/8, 1/4, 3/8
Effect of Supply Pressure Variation on Outlet Pressure	0.005 psig / 0.3 mBAR per 25 psig / 1.7 BAR change	0.005 psig / 0.3 mBAR per 25 psig / 1.7 BAR change	0.005 psig / 0.3 mBAR per 25 psig / 1.7 BAR change	0.005 psig / 0.3 mBAR per 25 psig / 1.7 BAR change	0.005 psig / 0.3 mBAR per 25 psig / 1.7 BAR change	0.005 psig / 0.3 mBAR per 25 psig / 1.7 BAR change	0.005 psig / 0.3 mBAR per 25 psig / 1.7 BAR change
Sensitivity	1/8" / 3.2mm of water	1/8" / 3.2mm of water	1/8" / 3.2mm of water	1/8" / 3.2mm of water	1/8" / 3.2mm of water	1/8" / 3.2mm of water	1/8" / 3.2mm of water
Bleed Rate	4.8 scfh / 2.3 LPM	4.8 scfh / 2.3 LPM	4.8 scfh / 2.3 LPM	4.8 scfh / 2.3 LPM	4.8 scfh / 2.3 LPM	4.8 scfh / 2.3 LPM	4.8 scfh / 2.3 LPM
Forward Flow Capacity	4 scfm / 113 LPM	14 scfm / 396 LPM	3 scfm / 85 LPM	14 scfm / 396 LPM	14 scfm / 396 LPM	40 scfm / 1132 LPM	10 scfm / 283 LPM
Exhaust Capacity @ 5 psig (0.4 BAR) above setpoint	2 scfm / 56 LPM	2 scfm / 56 LPM	2 scfm / 56 LPM	10 scfm / 283 LPM	15 scfm / 424 LPM	2 scfm / 56 LPM	2 scfm / 56 LPM
Temperature Range	-20 to 160 °F -29 to 71 °C	-20 to 160 °F -29 to 71 °C	-20 to 160 °F -29 to 71 °C	-20 to 160 °F -29 to 71 °C	-20 to 160 °F -29 to 71 °C	-20 to 160 °F -29 to 71 °C	0 to 140 °F -18 to 60 °C
Effect of Changes in Flow on Regulated Pressure	N/A	0.25 psig / 0.01 BAR per 10 scfm / 283 LPM	N/A	0.25 psig / 0.01 BAR per 10 scfm / 283 LPM	0.25 psig / 0.01 BAR per 10 scfm / 283 LPM	0.25 psig / 0.01 BAR per 10 scfm / 283 LPM	0.25 psig / 0.01 BAR per 10 scfm / 283 LPM

Effect of Changes in Flow on Regulated Pressure



Effect of Upstream Pressure Variations on Regulated Pressure



Manual Type 10 Ordering Information

Type	Part Number	Port Size NPT	Control Range	
			BAR	psig
10	960-001-000	1/8	0.1-1.7	2-25
	960-003-000	1/4	0.1-1.7	2-25
	960-005-000	3/8	0.1-1.7	2-25
10	960-007-000	1/8	0.1-4.1	2-60
	960-009-000	1/4	0.1-4.1	2-60
	960-011-000	3/8	0.1-4.1	2-60
10	960-013-000	1/8	0.1-8.3	2-120
	960-015-000	1/4	0.1-8.3	2-120
	960-017-000	3/8	0.1-8.3	2-120
10BM	960-126-000	N/A	0.1-1.7	2-25
	960-127-000	N/A	0.1-4.1	2-60
	960-128-000	N/A	0.1-8.3	2-120
10HR	960-028-000	1/8	0.1-8.3	2-120
	960-029-000	1/4	0.1-8.3	2-120
	960-030-000	3/8	0.1-8.3	2-120
10EXHR	960-072-000	1/8	0.1-8.3	2-120
	960-073-000	1/4	0.1-8.3	2-120
	960-074-000	3/8	0.1-8.3	2-120
10PL	960-019-000	1/8	0.1-1.7	2-25
	960-020-000	1/4	0.1-1.7	2-25
	960-021-000	3/8	0.1-1.7	2-25
10PL	960-022-000	1/8	0.1-4.1	2-60
	960-023-000	1/4	0.1-4.1	2-60
	960-024-000	3/8	0.1-4.1	2-60
10PL	960-025-000	1/8	0.1-8.3	2-120
	960-026-000	1/4	0.1-8.3	2-120
	960-027-000	3/8	0.1-8.3	2-120
10LR	960-053-000	1/4	0.03-1.7	0.5-25

Type 10 Motorized Pressure Regulators

Bellofram's high precision Type 10 pressure regulator – a servo balanced system in which the main valve is operated by a pilot valve – is also available in a motorized configuration. This combination is particularly attractive because it offers low power requirements (2 rpm/4 watts; 6 rpm/6 watts) with extremely high accuracy.



Regulator-Motor Specifications

Pressure Range		Approximate Time to Cover Full Range (seconds)	
BAR	psig	2 rpm	6 rpm
0.1-1.7	2-25	75	25
0.1-4.1	2-60	90	30
0.1-8.3	2-120	150	50

*±10% manufacturing tolerance

Applications

The motorized Type 10 pressure regulator can be used for any application where electric control of a pneumatic system is desired. It is often used for remote pressure control and for ventilation systems. It can also be easily integrated into open or closed loop process control systems and may be used with programmable controllers.

Features

- Mountable at any angle
- In the event of power failure, the pneumatic output remains constant at last setting
- Low electrical power requirements
- Adjustable mechanical stop limits maximum output pressure
- No electrical power is required when operating at constant output pressure
- No pre-regulation of supply pressure required
- Built-in overload slip clutch prevents damage to gear train at end of travel, eliminating the need for limit switches in most applications.

Construction

The regulator and motor are mounted to a bracket and connected to each other through a flexible coupling. The assembly can be mounted through holes in the bracket.

Motor Specifications

Reversible, synchronous motor with gear drive and slip clutch.

Operating Voltage 110VAC, 24VAC, 24VDC or 220VAC.

Frequency

60 Hz, Except 220 VAC model is 50 Hz.

Power Consumption (maximum)

2 rpm/4 watts, 6 rpm/6 watts.

Speeds Available

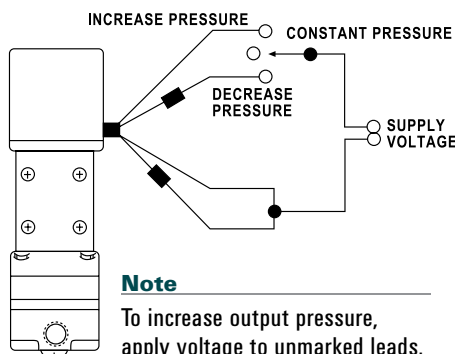
2 and 6 rpm.

Motorized Type 10 Ordering Information

9 6 0 - 1 8 0 -					
		↑	↑	↑	Motor Specifications
1					2 RPM 110 VAC 4 WATTS 60 Hz
2					6 RPM 110 VAC 6 WATTS 60 Hz
3					6 RPM 220 VAC 6 WATTS 50 Hz
4					2 RPM 24 VAC 4 WATTS 60 Hz
5					6 RPM 24 VAC 6 WATTS 60 Hz
					Pressure Range
1					2-25 psig / 0.1-1.7 BAR
2					2-60 psig / 0.1-4.1 BAR
3					2-120 psig / 0.1-8.3 BAR
4					L. R. Model, 0.5-25 psig / 0.03-1.7 BAR
5					H.R. Model, 2-120 PSI / 0.1-8.3 BAR
					Port Size
1					1/8 NPT
2					1/4 NPT
3					3/8 NPT

Typical Installation

Control Circuit Diagram



Note

To increase output pressure, apply voltage to unmarked leads. To decrease output pressure, apply voltage to marked leads.

