



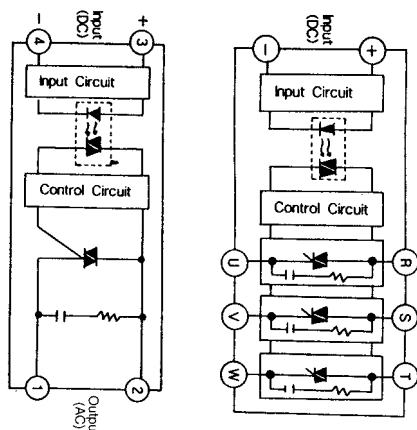
DC and AC Inputs – Solid-State Relay

- 15, 25, 40A @ 50-240 VAC Outputs
- 4 to 32 VDC and 85 to 240 VAC Input
- LED Operation Indicator (SD Only)
- Compatible Heat Sinks

HEAT SINK INFORMATION: To achieve the rated output current loads for all ATC solid-state relays, they must be mounted to a heat sink.

WIRING

SDA1, SAA1



MODEL	A	B	C	D	E	F
NO118(1)-60	60	90	100	60	N/A	48
NO118(2)-200	60	90	100	200	97	N/A

ORDERING INFORMATION

MODEL NUMBER	UL RECOGNIZED	INPUT VOLTAGE	OUTPUT VOLTAGE	OUTPUT AMPS	PHASE
SDA1-215Z	Yes	4-32 VDC	50-240 VAC	15	Single
SDA1-225Z	Yes	4-32 VDC	50-240 VAC	25	Single
SDA1-240Z	Yes	4-32 VDC	50-240 VAC	40	Single
SAA1-215Z	Yes	85-240 VAC	50-240 VAC	15	Single
SAA1-225Z	No	85-240 VAC	50-240 VAC	25	Single
SAA1-240Z	No	85-240 VAC	50-240 VAC	40	Single
SDA3-240Z	No	4-15 VDC	50-240 VAC	40	Three
SDA3-440Z	No	4-15 VDC	50-460 VAC	40	Three
NO118 (1)-60	No	Heat Sink for SDA1 and SAA1 Models			
NO118 (2)-200	Yes	Heat Sink for SDA3 Models			
Other Relays and Heat Sinks Available, Consult Factory.					

SPECIFICATIONS

CONTROL VOLTAGE	DC Models (SDA) 4—32 VDC AC Models (SAA) 85—240 VAC
PICK UP VOLTAGE	SDA Models, 4V Max SAA Models, 85V Max.
DROP OUT VOLTAGE	SDA Models, 1V Min. SAA Models, 40V Min.
PEAK REPETITIVE OUTPUT VOLTAGE	600 Vrms Max.
OFF STATE LEAKAGE CURRENT	10mA Max.
ON STATE VOLTAGE DROP	1,5 Vrms Max.
DIELECTRIC STRENGTH	2500 Vrms, 1 Min. (Input-Output-Case)
ISOLATION RESISTANCE	100 MΩ/DC 500 V (Input-Output-Case)
RESPONSE TIME	1/2 Cycle + 1 mS Max.
TEMPERATURE	Operate -20° to +80°C Storage -30° to +100°C
AGENCY APPROVALS	SDA1 Models Only: Underwriters Lab's UR File No. E165828
WEIGHT	2 oz.

DIMENSIONS (MILLIMETERS)

