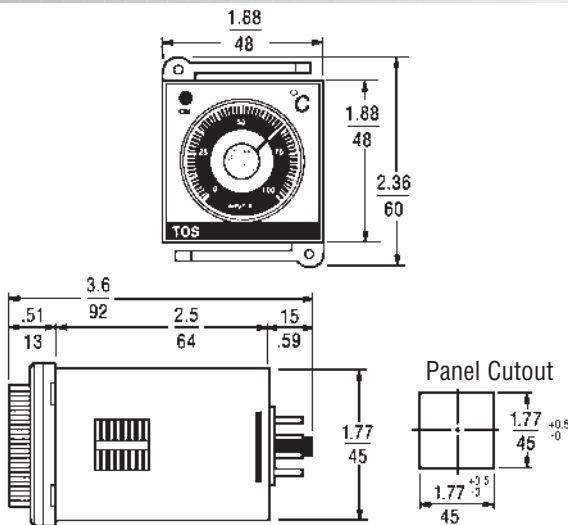


**OPERATION**

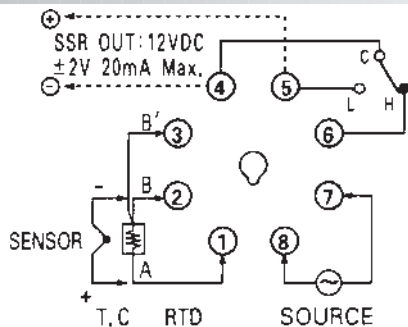
The 1/16 DIN TOS, is one of the most commonly used temperature controls because of its *low cost* and *operation simplicity*. Primarily employed in ON/OFF output applications, the unit is also available with proportional control if desired.

Operation of the TOS is simple. Set the dial to the required temperature and the control provides an output until the temperature setting is achieved. The unit has a hysteresis of 0.2 to 0.5% of full scale to provide fairly consistent control. Output can be ordered in either relay contact (2A @ 250VAC, Form C) or output for solid state relay (12VDC, 20mA). This output flexibility plus selection of J or K thermocouple input provides a range of models to satisfy application requirements.

**DIMENSIONS (INCHES/MILLIMETERS)**



**WIRING**



**SPECIFICATIONS**

INPUT	Thermocouple J or K RTD	
OPERATING VOLTAGE	100/240VAC, ±10%, 50/60 Hz	
POWER CONSUMPTION	2 VA @ 120 VAC	
SETTING METHOD	Dial Scale	
CONTROL MODES	ON/OFF/Proportional (Programmable)	
OUTPUT	Relay	SPDT, 2A @ 250 VAC
	SSR	12 VDC ±2V, 20 mA
MOUNTING	Front Panel (45mm <sup>2</sup> cut out)	
TERMINATION	8-Pin Plug-In	
WEIGHT	4 oz.	Shipping: 5 oz.



1/16 DIN Analog Temperature Controller

- Economical Control
- 1/16 DIN, Analog Setting
- Simple 8-Pin Plug-In Installation
- Front Panel LED Indicates Output Status
- J or K Thermocouple Input
- Relay or SSR Driver Output

MODEL NUMBER >>>>>	TOS	B	4		
	Output				
				Relay	R
				SS Relay Driver	S
	Sensor				
				J Thermocouple	J
				K Thermocouple	K
				RTD	P
	Temperature Range*				
				0-200°F	2F
				0-400°F	4F
				0-600°F	6F
				0-800°F	8F
				0-100°C	1C
				0-300°C	3C
				0-400°C	4C
				0-800°C	8C
*Other Ranges Available — Consult Factory					
Sockets for TOS: 600-3-0011 For Panel Mount, 600-3-0013 For DIN Rail or Base.					

Temperature Controllers // TOS Series