



OPERATION

The T3S, 1/16 DIN is a popular temperature control because it provides bold LED temperature readout and simple to set bidirectional push-button switches.

Operation of the T3S is simple since all that is required is to set the bidirectional switch to the required temperature and the control provides an output until the temperature setting is achieved. Output can be ordered in either relay contact (2A @ 250 VAC, Form C), output to drive a solid state relay (12 VDC, 20mA), or 4 to 20mA. This output flexibility plus selection of J, K thermocouple or RTD input provides a range of models to satisfy application requirements.

The economical T3S is versatile with features like universal input power (100 to 240 VAC, 50/60 Hz) and selectable ON-OFF or proportional control modes.

1/16 DIN Digital Temperature Controller

- Economical Digital Control
- 1/16 DIN, 48mm²
- ON-OFF or Proportional Control
- J, K Thermocouple or RTD Input
- Relay, SSR Relay Driver or 4-20 mA Output
- Bold LED Temperature Display
- Set Value Visible On Set Switches
- LED Output Indication
- Upscale Thermocouple Break

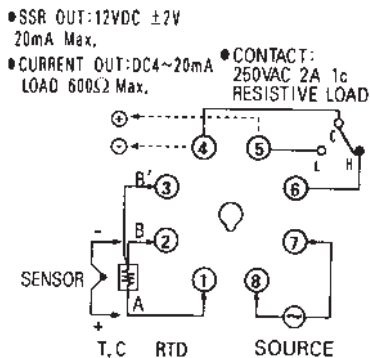
SPECIFICATIONS

INPUT	Thermocouple J or K RTD	
OPERATING VOLTAGE	100/240VAC, 50/60 Hz	
POWER CONSUMPTION	5 VA	
SETTING METHOD	Front Panel Push-button Switches	
CONTROL MODES	ON/OFF or Proportional -Selectable	
ON/OFF CONTROL	Hysteresis	0.5% ± 0.2%
	Full Scale Fixed	
OUTPUT	Relay	SPDT, 2A @ 250 VAC
	SSR	12 VDC ±2V, 20 mA Max.
PROPORTIONAL CONTROL	Current	4-20mA, 600 Max.
	Band	3% Full Scale Fixed
RESET FUNCTION	Period	20 Seconds Fixed
	Adjustable ±3% Full Scale	
DISPLAY	LED	
MOUNTING	Front Panel or Socket Mount	
TERMINATION	8-Pin Plug-In	
WEIGHT	NET: 6.4 oz. Shipping: 8 oz.	

MODEL NUMBER >>>>>>	T3S	B	4		
				Output	
				Relay	R
				SS Relay Driver	S
				Current, 4-20mA	C
				Input	
				RTD; Pt100Ω, 0 to 199°C	P2C
				J Thermocouple, 0 to 399°F	J4F
				J Thermocouple, 0 to 799°F	J8F
				K Thermocouple, 0 to 799°F	K8F

Sample Ordering Model Number: T3S-B4R]4F
 Sockets for T3S: 600-3-0011 For Front Panel, 600-3-0013 For DIN Rail or Base.

WIRING



DIMENSIONS (INCHES/MILLIMETERS)

