



The **Digitec D3980** is truly an intelligent remote display. Using RS232C serial input the D3980 offers unmatched application flexibility.

The D3980 offers an option of setting a 6-digit window to look within a data stream. This window allows the extraction or parsing of data within a data stream.

**SERIAL INPUT:** Serial ASCII RS232C. Receives, processes and displays up to 6 digits of data. Decimal point is programmable through front key pad.

**9600 BAUD RATE:** Data Format: 8 data bit, 1 stop bit, no parity check. Optional 1200 baud rate available (*consult factory.*)

**DISPLAY FORMAT:** 6 Digit (999,999) counts, or 5 digits (-99,999) counts.

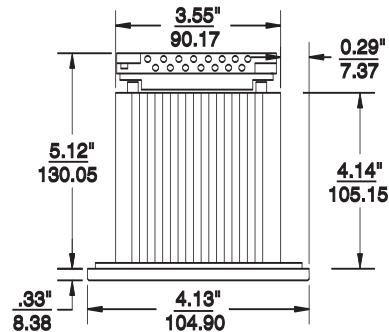
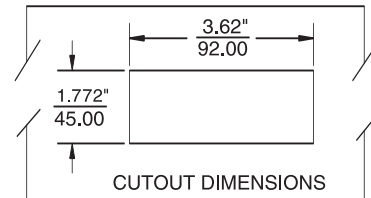
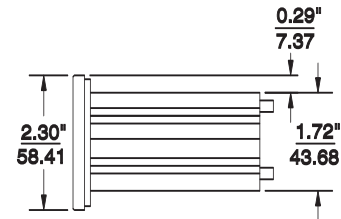


## Remote Display

- Extract 6-digit numeric data from within a data stream
- Remote Display for all 3800/3900 models with the "T" option (Serial Output)
- Converts Serial to Analog Output
- Numeric Display for PC/PLC serial output with alarm relay capability
- Scale and Offset raw serial data and display as intelligent information
- Displays direct input from digital transmitters

MODEL NUMBER >>>>>>	D3980	
Relay Outputs	C	
Analog Outputs (H Option includes P Option)	H	
Excitation 10 VDC and 24 VDC	P	
220 VAC powered	S	
1200 Baud Input	B12	

## DIMENSIONS (INCHES/MILLIMETERS)



Standard Screw Terminal