

The **Digitec D2080** is a *loop powered* indicator that measures, displays and totalizes the current in a 4-20 mA circuit. Although the instrument is loop powered, it only produces <3.5 V drop allowing it to be used in series with almost any 4-20 mA application. Modular accessories enable the user to select the lowest cost configuration while retaining full interchangeability between instruments.

Optional high alarms provide two isolated open drain outputs which may be independently programmed with a high trip point. When an alarm is tripped, the alarm and current reading alternate on the indicator.

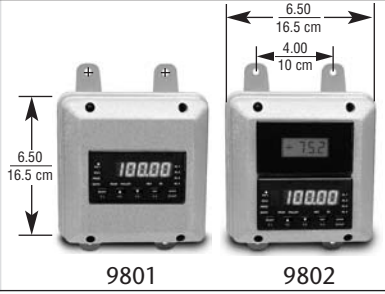


4-1/2 Digit Loop-Powered Meter

SPECIFICATIONS

INPUTS	4-20 mA	
OUTPUT (OPEN DRAIN)	25 VDC @ 150 mA; Isolated to 500 VDC	
DISPLAY RANGE	Decimal Point Programmable 0 - 19.999	
ACCURACY	± 0.02% ±1 count	
SQUARE ROOT	± .2%	
DISPLAY	4-1/2 Digit, .5" LCD	
LOW FLOWS ADJUSTABLE	22% of Full Scale	
ALARM STATUS	Alternating Display — Between the process reading and the high alarms (AL1 or AL2)	
MAXIMUM VOLTAGE DROP	<3.5V @ 20 mA	
FRONT PANEL	NEMA 4X	
TEMPERATURES RATING	Operating	32° to 122°F (0° to 50°C)
SIZE	2.3"H x 4.13"W x 1.25"D Panel Cutout: 3.55"W x 1.72"H	
WEIGHT	Approx. 2 oz.	
	NEMA 4X Wall Mounted Enclosure	

OPTIONAL ACCESSORIES

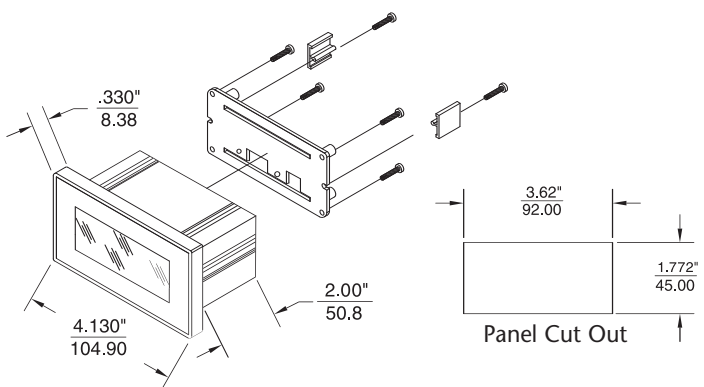


- 4-1/2 Digit Full Size LCD
 - NEMA 4X Front Panel
 - 1/8 DIN Anodized Aluminum Case
 - Short Depth Case (2-1/4")
 - Front Panel Menu Access
 - 2 Isolated Open Drain Alarm Outputs
 - Square Root Extractions
- PROCESS APPLICATIONS
- Level
 - Pressure
 - Flow

ORDERING INFORMATION

MODEL NUMBER	DESCRIPTION
D2080	4-1/2 Digit Loop Powered Meter with Totalizer
D2080C	2080 with Open Drain (Alarms)
OPTIONAL ACCESSORIES	
9801	Nema 4X Wall Mounted Enclosure
9802	Nema 4X Wall mounted Enclosure -double cutout

DIMENSIONS (INCHES/MILLIMETERS)



Loop Powered Indicators // D2080 Series